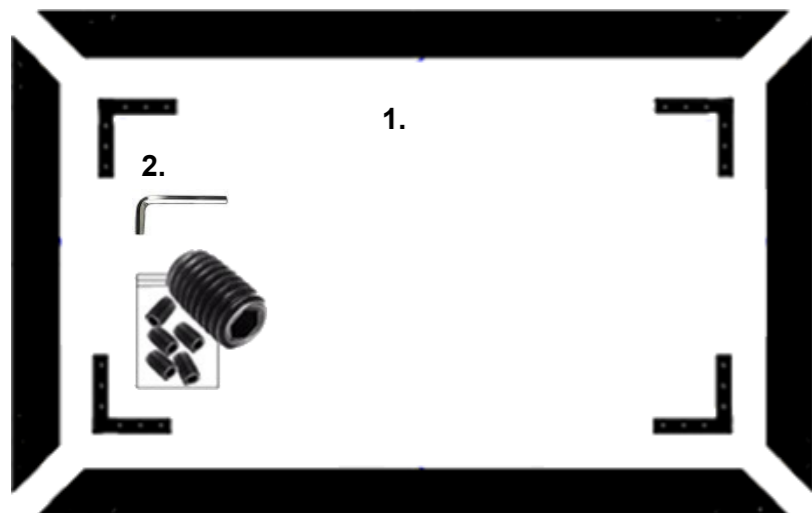


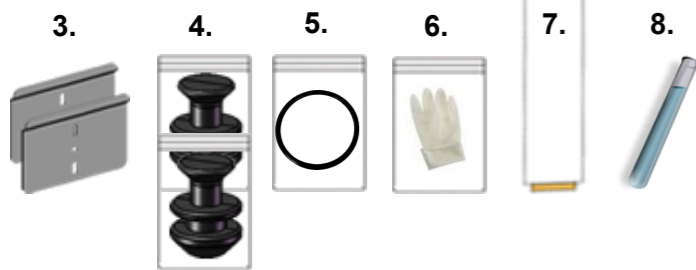


## Black Diamond Fixed Mount Projection Screen



Please note the following Parts

1. 4 Frame Components
2. 4 Corner Brackets
3. 2 Wall Brackets
4. T Slot Posts Vertical & Horizontal
5. Black Rubber Bungees
6. Latex Gloves
7. Screen Material (**See Warning**)
8. Bungee Install Tube



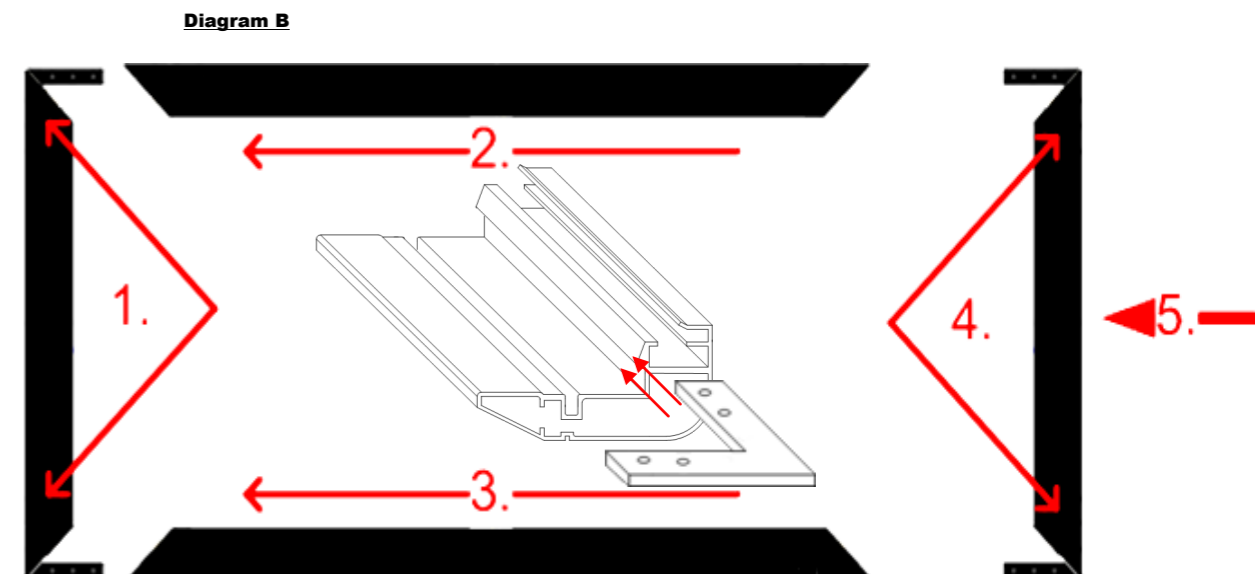
## Getting Started

1. For the best image quality, mount your projector lens level with the top or bottom of the screen. We do not recommend angling the projector or using any type of keystone correction. Lens shift is acceptable within 11 degrees above or below the screen equating to around 12".
2. In a clean, open area place the flat sides of the frame face down on the floor. (for wood framed units, place the foam padding underneath the frame components to protect the frame finish).

## Black Diamond - Installation Instructions

### Frame Assembly

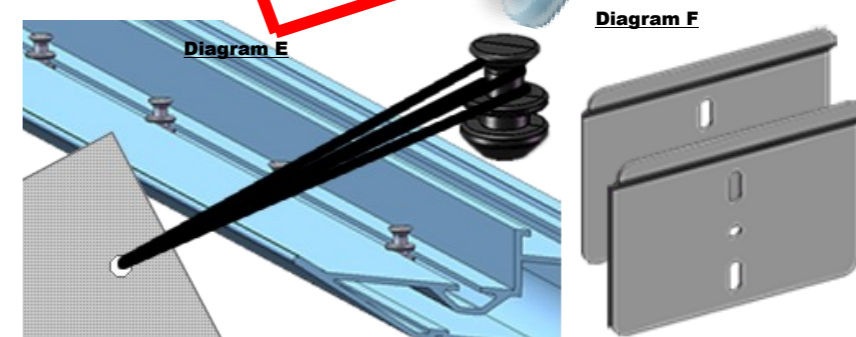
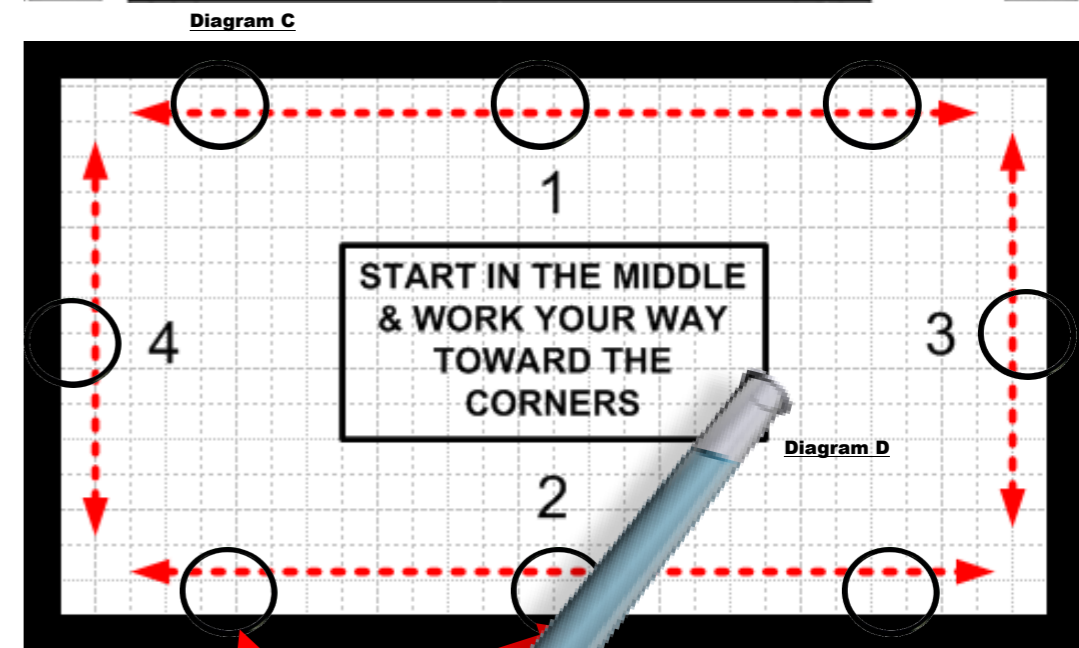
1. Insert the T-Slot Posts into the frames components before installing the corner brackets. Divide the "Vertical" & "Horizontal" posts in half and insert into each frame.
2. Insert 2 corner brackets into the vertical frame component in diagram B, step 1.
3. Push the 2 horizontal frame components onto the vertical frame, inserting the corner brackets into the horizontal frame in diagram B, steps 2 and 3.
4. Insert 2 corner brackets into the remaining vertical frame component in diagram B, step 4.
5. Push the remaining vertical frame into the 2 horizontal frame components, inserting the corner brackets in diagram B, step 5.



### Screen Material Attachment

**Warning: Screen material damaged during installation or use is not covered under warranty.**

6. Put on latex gloves to protect screen material.
7. The Black Diamond screen material is rolled with the optical side out with a layer of sheet foam underneath to protect from scratching. Unpack and carefully unroll the screen material, optics down (dark side) on the frame using caution to not crease the material. **\*Do not unroll the material face up and then flip over as you may permanently crease or scratch the material.**
8. Center the material over the frame.
9. Using the supplied Black Rubber Bungees and Bungee install tube, loop each bungee around the post starting with the number 1, 2, 3, and 4. This will center the material. Then loop all remaining bands. **NOTE: The bands loop through the screen and both ends attach to the same post as seen in diagram E.**
10. Once all bungees are attached make sure the attachment is straight from the hole to post, not pulling at an angle.



### Wall Mount

11. Using the supplied drywall screws, attach the horizontal wall mounting brackets to structural wall studs as shown in Diagram F.
12. Place the screen on top of the horizontal wall mounting bracket so the lip on the frame slips into the mounting track.
13. You may now slide the screen left or right to center your projector's image on the screen.

Installation Help Line (512) 832-6939

[www.siscreens.com](http://www.siscreens.com)