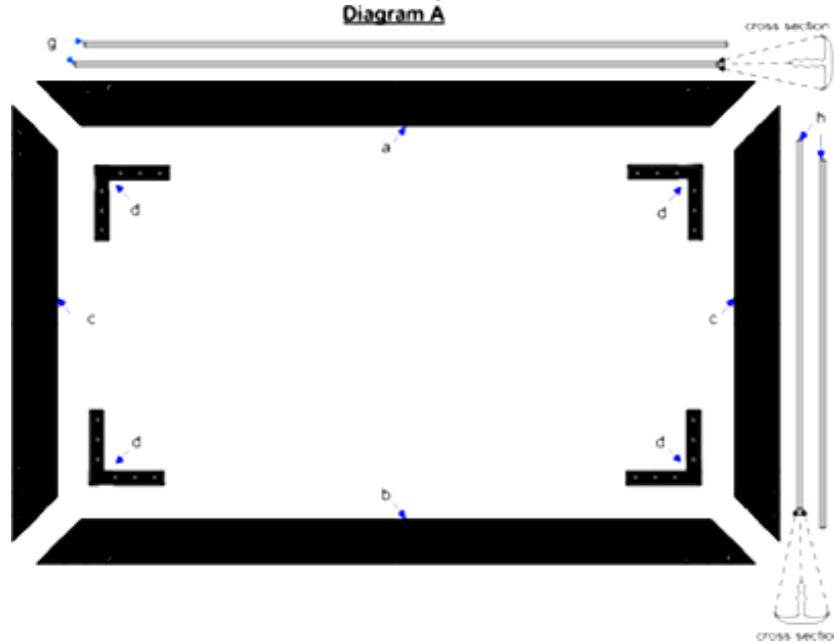
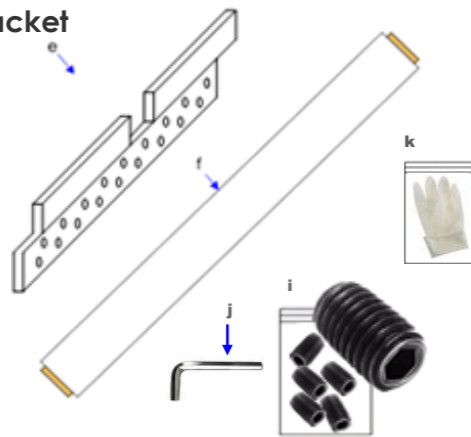




Fixed Mount Projection Screen



- a — horizontal frame component
- b — horizontal frame component
- c — vertical frame component (x2)
- d — corner bracket (x4)
- e — horizontal wall mounting bracket
- f — screen material
- g — horizontal T-line (in frame)
- h — vertical T-line (in frame)
- i — hardware bag includes:
17 — 1/4" allen head screws
1 extra screw included
- j — 1/4" allen wrench
- k — latex gloves



Getting Started

1. In a clean, open area place the flat sides of the frame face down on the floor. (for wood framed units, place the foam padding underneath the frame components to protect the frame finish).
2. Place the remaining parts beside the frame as shown in diagram A.

Installation Instructions

Diagram B

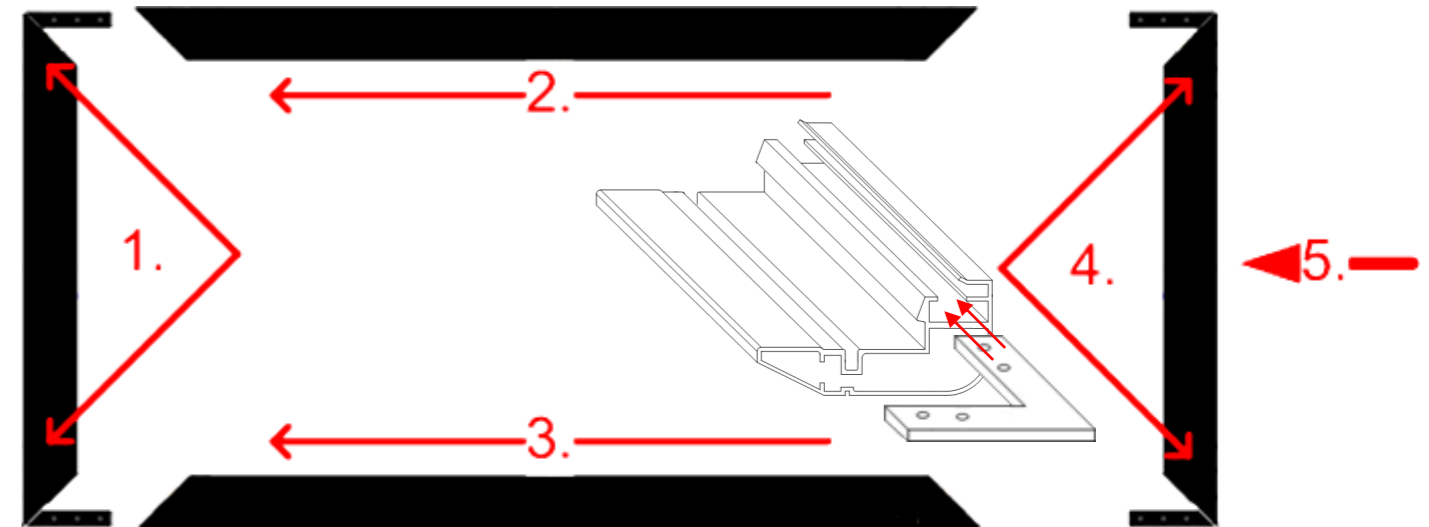


Diagram C

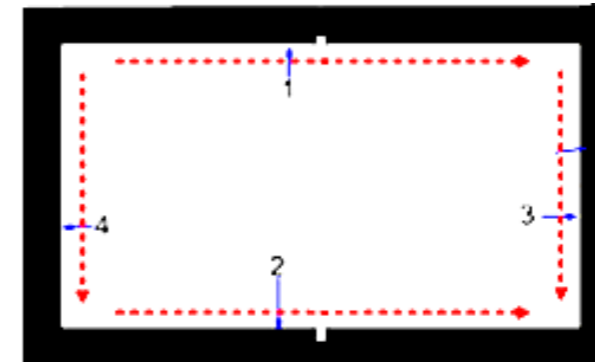


Diagram D

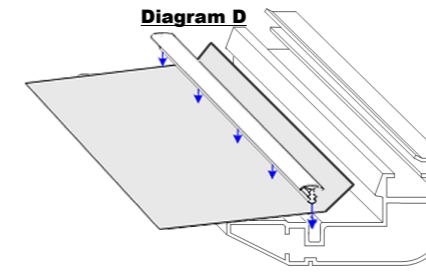
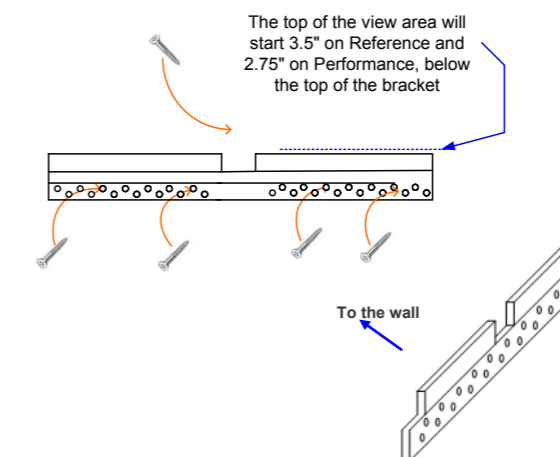


Diagram E



Frame Assembly

1. Insert 2 corner brackets into the vertical frame component in diagram B, step 1.
2. Push the 2 horizontal frame components onto the vertical frame, inserting the corner brackets into the horizontal frame in diagram B, steps 2 and 3.
3. Insert 2 corner brackets into the remaining vertical frame component in diagram B, step 4.
4. Push the remaining vertical frame into the 2 horizontal frame components, inserting the corner brackets in diagram B, step 5.
5. Compressing the corners together, use the 16 1/4" set screws to secure the corner brackets to frame.

Screen Material Attachment

6. Put on latex gloves to protect screen material.
7. Unroll the screen material, with the Front Projection Side sticker face down on the frame, overlapping the back of the frame on all sides.
8. Follow the numbering on Diagram C for inserting the T-line into the frame. This will ensure the screen material is pulled evenly across the frame.
9. Using the red directional arrows on Diagram C as a guide, firmly push the T-line into the channel on the frame, as shown in Diagram D. Gently pull the slack out of the material ahead of the T-line as it is inserted into the channel. The T-line will tension the material, you do not need to use force to stretch it yourself.
10. Note: you will have excess screen material after inserting the t-line into the frame. You may cut the material along the internal edge of the frame to remove the excess.

Wall Mount

11. Using the supplied drywall screws, attach the horizontal wall mounting bracket to structural wall studs as shown in Diagram E.
12. Place the screen on top of the horizontal wall mounting bracket so the lip on the frame slips into the into the mounting track.
13. You may now slide the screen left or right to center your projector's image on the screen.

Installation Help Line

(877)203-8921 — (512)832-6939

www.screeninnovations.com