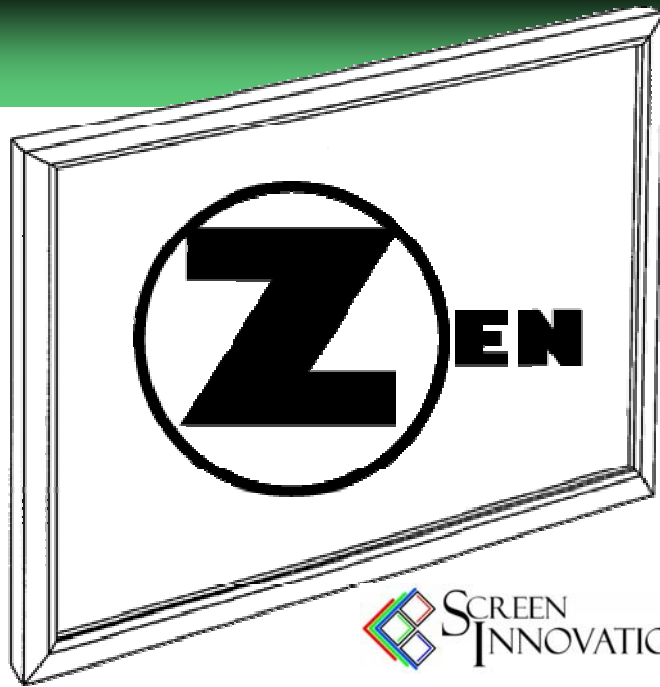
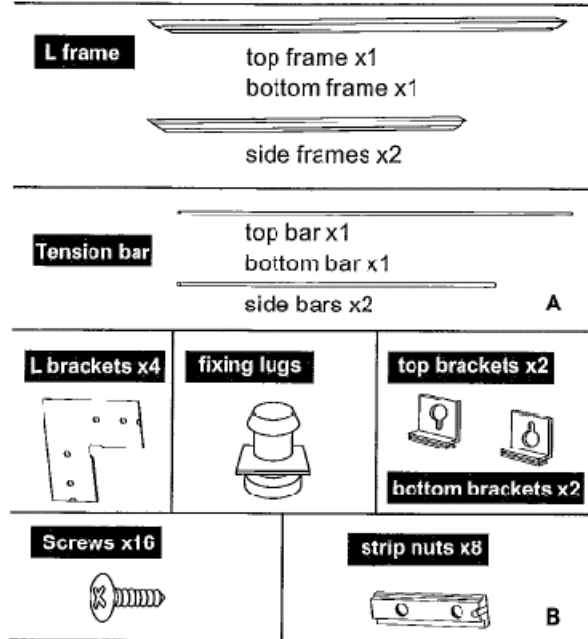


# Installation Instructions

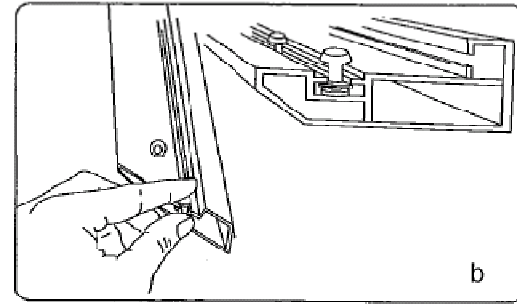
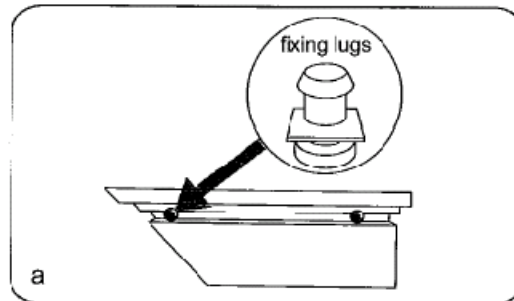


## 1. Locate all parts and lay on a flat surface



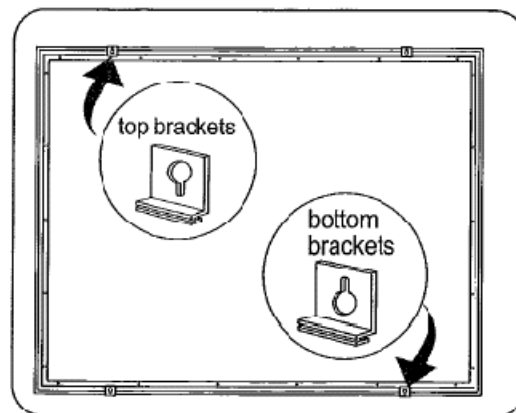
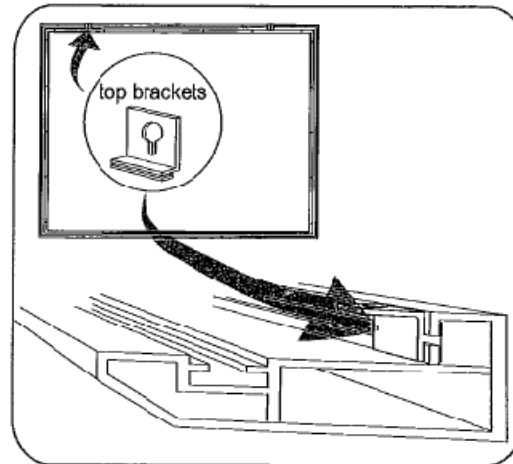
2. Next Slide the fixing lugs into the section of the frame that is indicated in diagram 1. There is a red arrow to indicate the number and position of the fixing lugs. Line the lugs up next to each arrow. Do not worry if they move slightly as you make the rest of the screen as they can be aligned when you fix the fabric. See Diagram 1 (A & B)

### Insert diagram 1 (a & b)



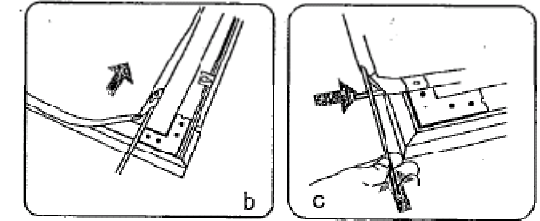
3. There are four brackets for hanging the screen which need to be inserted into the profile at the top and bottom of the screen before securing the corners. It is recommended to use all four brackets if there is any danger of the screen being lifted and therefore coming off the wall. See diagram 2 for more information. The brackets move freely to any position along the top or bottom of the screen.

### Insert diagram 2



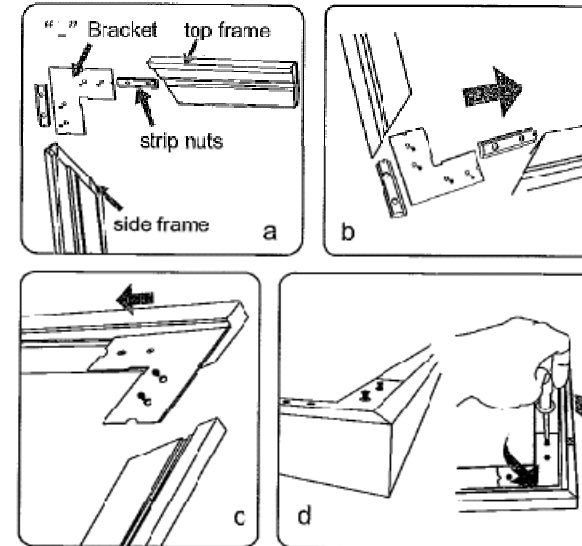
4. Lay the frames face down on the floor or table and then insert the "L" brackets into the channel and slide until the screen corners are 90 degrees to each other.

Then tighten the four screws at each end until the joint becomes secure. When you have completed all four corners turn the screen over and ensure that all the joints are tight and snug. If not slacken the screws in the affected corner and re-align. See Diagram 3 (a,b,c, and d)



Now you are ready to attach the screen fabric. First attach the top of the frame making sure that the arrows are aligned. With the fixing lugs push the tension bar over the top of the hole in the fabric. Repeat this process all the way along the top of the screen, and then on the sides, and finally the bottom.

### Insert diagram 3 (a,b,c, and d)



### Inserting the fabric

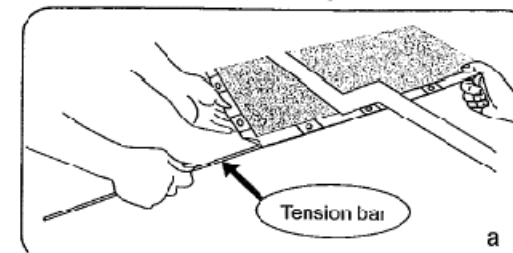
5. You are now ready to unpack the screen fabric from the tube. It is recommended to wash your hands before starting this process.

Unwind the screen fabric from the tube carefully with the surface facing down. You will know which way the surface is as the rear has a stitched seam.

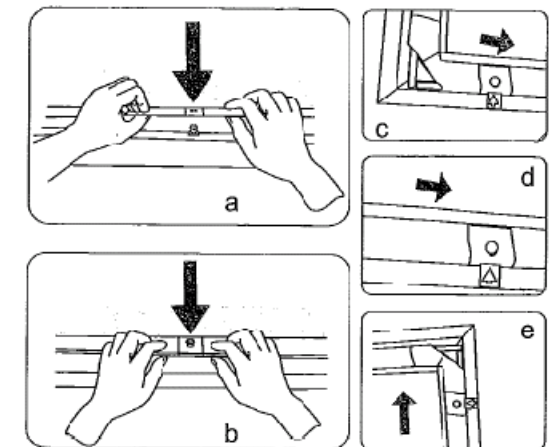
With the screen in this position you are now ready to fit the tension bars. These 4 rods were stored in the center of the tube for transit. Insert the longer rods in the top and bottom seam around the rear of the screen above the holes for attaching the frame.

See diagram 4 (a, b, and c)

### Insert diagram 4 (a,b and c)



See Diagram 5 (a,b,c,d, and e)



### Final Fitting

6. You will now need to insert four screws in the wall and hang the screen.

