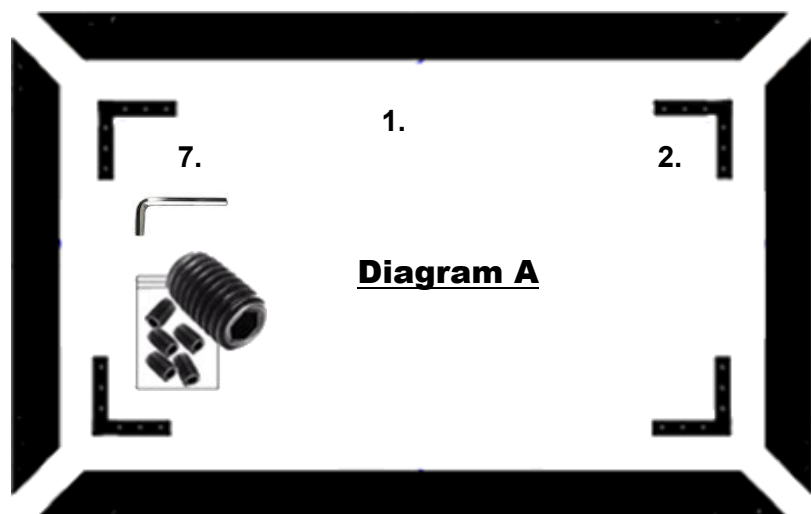
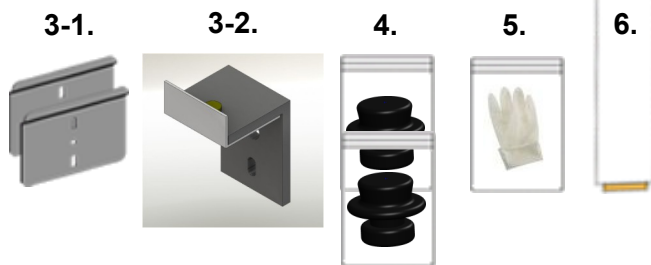


Fixed Mount Projection Screen



Please note the following Parts

1. 4 Frame Components
2. 4 Corner Brackets
3. 2 Wall Brackets (Fig. 3-2 If Curved)
4. Horizontal and Vertical Snaps
5. Latex Gloves
6. Screen Material
7. Hardware



Getting Started

1. In a clean, open area place the flat sides of the frame face down on the floor. (for wood framed units, place the foam padding underneath the frame components to protect the frame finish).
2. Place the remaining parts beside the frame as shown in diagram A.

FIXED SNAP - Installation Instructions

Frame Assembly

1. Insert the Snaps into the frames components before installing the corner brackets. Divide the "Vertical" & "Horizontal" snaps in half and insert into each frame.
2. Insert 2 corner brackets into the vertical frame component in diagram C, step 1.
3. Push the 2 horizontal frame components onto the vertical frame, inserting the corner brackets into the horizontal frame in diagram B, steps 2 and 3.
4. Insert 2 corner brackets into the remaining vertical frame component in diagram B, step 4.
5. Push the remaining vertical frame into the 2 horizontal frame components, inserting the corner brackets in diagram B, step 5. Once corners are aligned, tighten down the brackets using hex tool provided.

Screen Material Attachment

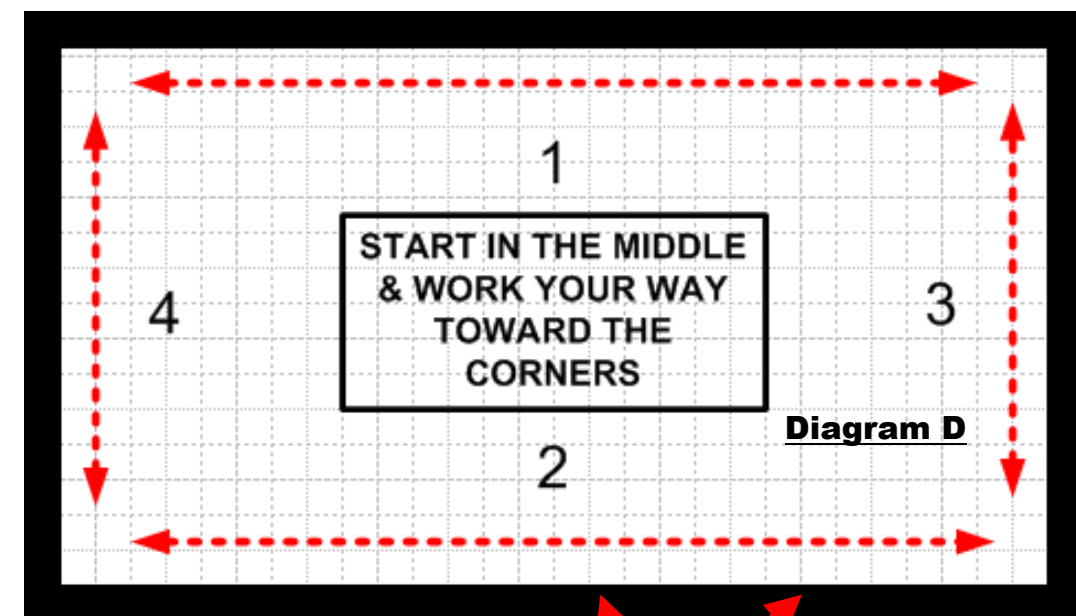
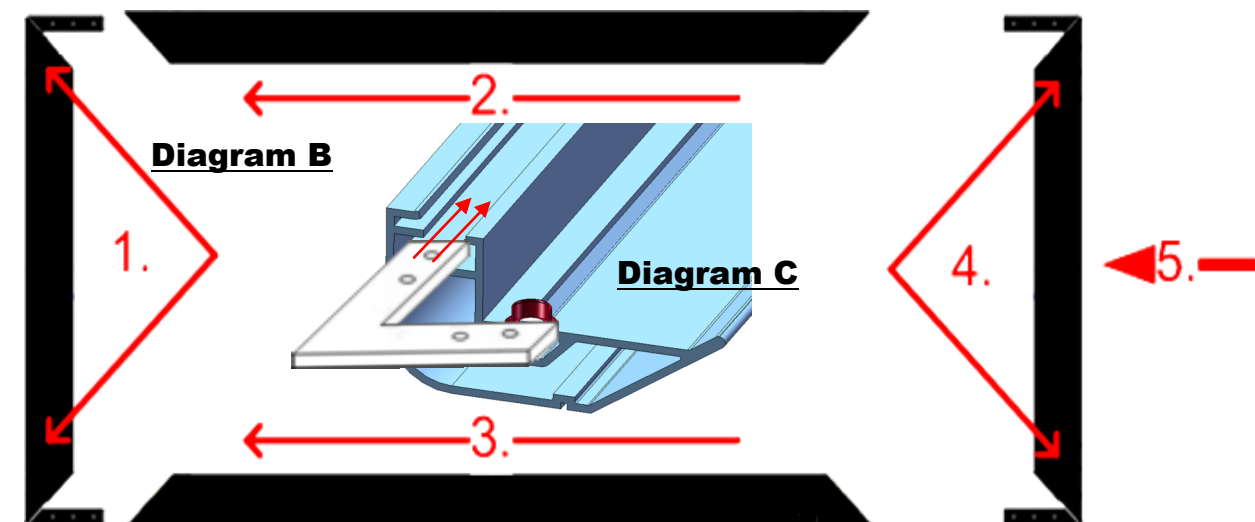
6. Put on latex gloves to protect screen material.
7. Unroll the screen material, with the Front Projection Side sticker face down on the frame, overlapping the back of the frame on all sides.
8. Center the material over the frame.
9. Start snapping from the center out as seen in diagram D.

Wall Mount

10. Once complete the snaps can be adjusted to ensure the material is flat.
11. Using the supplied drywall screws, attach the horizontal wall mounting brackets to structural wall studs. Check the chart to the right for Recommended Curved Screen Spacing.
12. Place the screen on top of the horizontal wall mounting bracket so the lip on the frame slips into the mounting track as shown in Diagram E.

Installation Help Line (512) 832-6939

www.siscreens.com



Recommended Wall Bracket Spacing Chart	
NOTE: Bracket location is from center of screen	
Screen Width	Bracket Location
70 - 92"	32 - 36"
92 - 120"	36 - 42"
120" and up	42 - 48"

