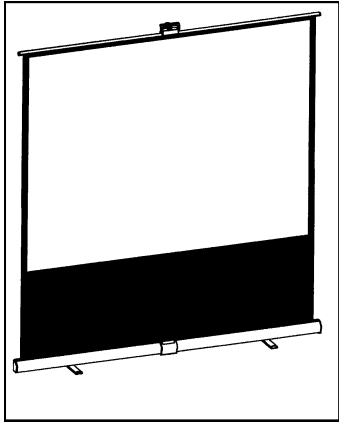




# Mobile Sensation Projection Screen Operating Instructions



**QUALITY FEATURES FOR BETTER PICTURES, EASIER OPERATION AND LONGER LIFE.**

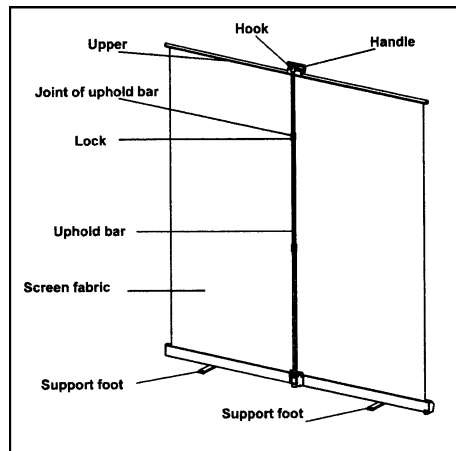
- Attractively Styled
- Easy Installation
- Economically priced
- Suitable for home use, business travel, exhibition halls and conference rooms.
- Optimum image quality when using video projection

## MOBILE SENSATION PROJECTION SCREEN MAIN FEATURES

1. Adopted from the latest industrial design with flowing curves and innovative appearance.
1. Extremely light and portable.
2. Easy to open, operate and retract.
3. Suitable for many indoor and outdoor applications.
4. Fully operational without a power source.
5. Safe and reliable construction.

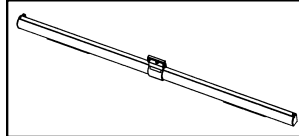
Diagonal	Format	Gain	Viewing Area	Total Length	Total Weight
60"	16:9	1.0	52.28 X 29.37 inches	58.58 inches	10.6 lbs.
80"	16:9	1.0	69.69 X 39.17 inches	75.98 inches	13.2 lbs.
60"	4:3	1.0	48.03 X 35.98 inches	54.33 inches	9.9 lbs.
80"	4:3	1.0	63.98 X 48.03 inches	70.28 inches	11.9 lbs.

## Projection Screen Structure

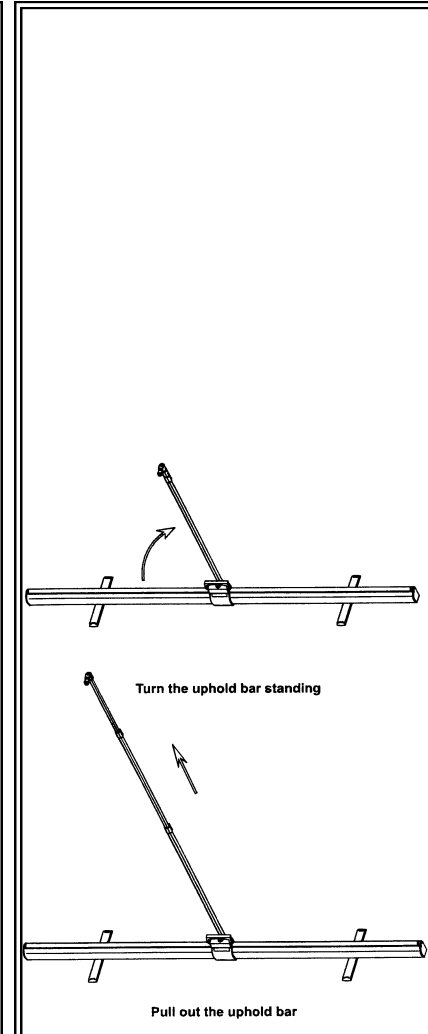
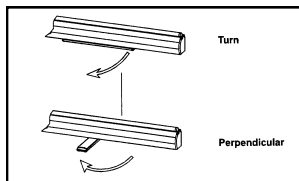


## Operating the Screen

1. Place the screen on the ground.



2. Pull the two support feet, on the bottom of the screen, turning them 90 degrees.



3. Turn up the uphold bar to release it from the case mount.
4. Raise the bar, 90 degrees so that it is perpendicular to its original position. This will release the lock on the screen.
5. Pull out the uphold bar to a vertical position and extend the bar to your optimal height. The bar will lock into place.
6. Using the handle, pull up the screen and secure the handle to the hook on the uphold bar.

**You are now ready to use your Mobile Sensation projection screen.**

After use, you may retract the screen back into the housing, lower the uphold bar onto the case mounting clip and turn the knob back 90 degrees to lock the screen inside the casing. Your Mobile Sensation projection screen is now ready to be easily transported.

## Precautions

### Handling Instructions

A special process has been applied on the surface of the screen. If any stains or scratches are made on the product, the optimum projection characteristics of the screen may be degraded. Make sure to note the following items when using the product.

- Do not touch the screen surface
- Do not write on the screen surface
- Wipe dust off lightly with a dry and soft cloth. Never use a wet cloth or chemicals to wash the surface of the screen.
- Protect the screen by keeping it rolled into the case when not in use.
- Always examine the front and back of the screen when retracting it into the case to remove any foreign objects from the case.