

REVISION HISTORY				
REVISION	DESCRIPTION	DATE	DRAWN BY	APPROVED
A	INITIAL PRODUCTION RELEASE	17 AUGUST 2009	DKE	GFS

Notes:

- WARNING: DISCONNECT FROM POWER SUPPLY BEFORE INSTALLING OR ADDING ACCESSORIES TO THIS DEVICE.
- FOR INDOOR USE ONLY.
- Maximum surrounding air temperature 40°C
- The Main Disconnect shall be provided by installer.
- THIS APPLIANCE HAS NO USER SERVICEABLE PARTS.
- Please refer to ESI Motor Catalog for suitable Crown & Drive Adapters.

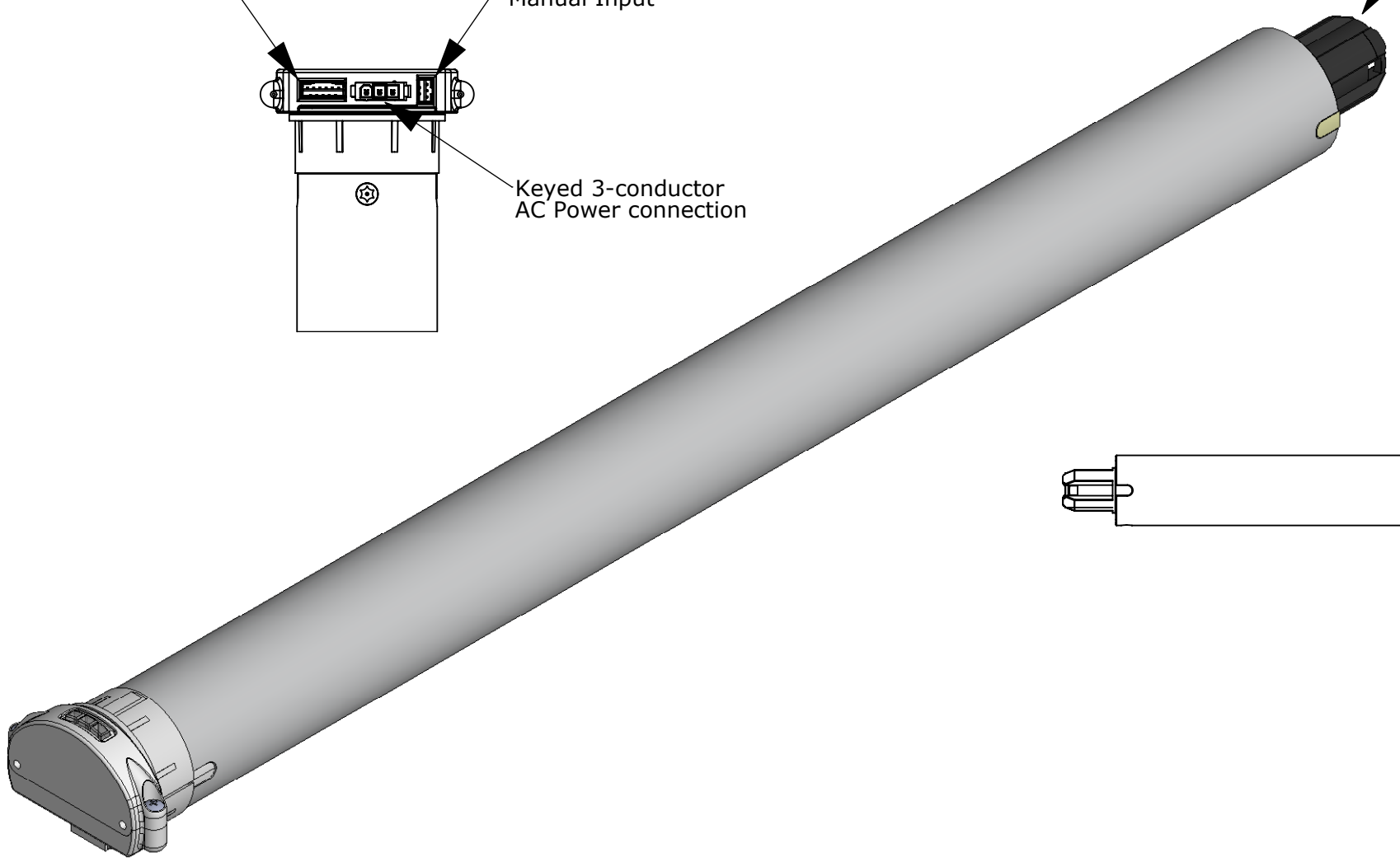
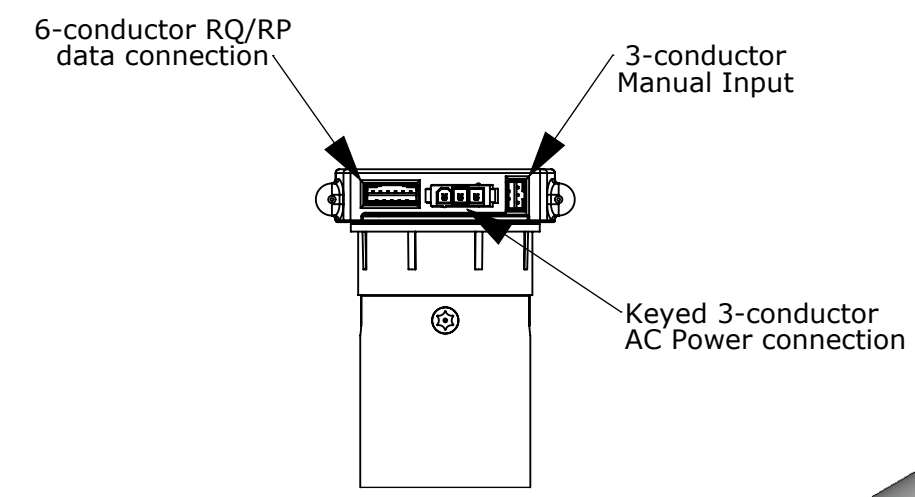
	Torque Nm	Speed RPM	Turns	Full Load Amperes	Watts	Duty Cycle * (On/Off)	Dim A	Dim B
M50Q 326B	3	27	+/- 54	0.50	115	1 Min./1 Min.	21.02" (534mm)	19.13" (486mm)
M50Q 626B	6	27	+/- 54	0.57	130	1 Min./1 Min.	21.02" (534mm)	19.13" (486mm)
M50Q 1530B	15	31	+/- 62	1.10	253	1 Min./1 Min.	22.56" (573mm)	20.67" (525mm)

*Note: On/Off times denote continuous operation duty cycle. Motors may run for up to 4 minutes continuously before thermal overload and reset. Thermal reset occurs within 10 to 15 minutes in most applications.

ELECTRICAL SPECIFICATION:

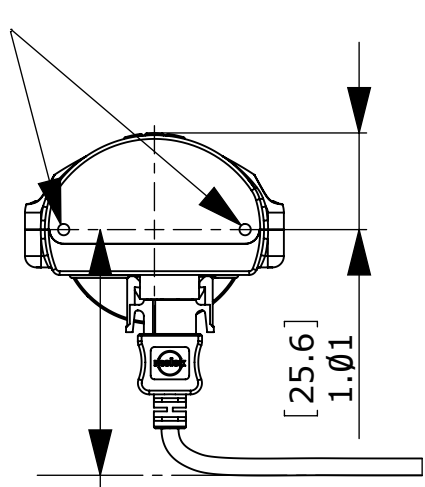
INPUT: 230VAC, 50Hz
 OUTPUT: SEE TABLE

SIGNAL OUTPUT IS CLASS 2
 · Manual Inputs 0VDC
 · RQ Data Bus 12VDC
 · RP Data Bus 5VDC

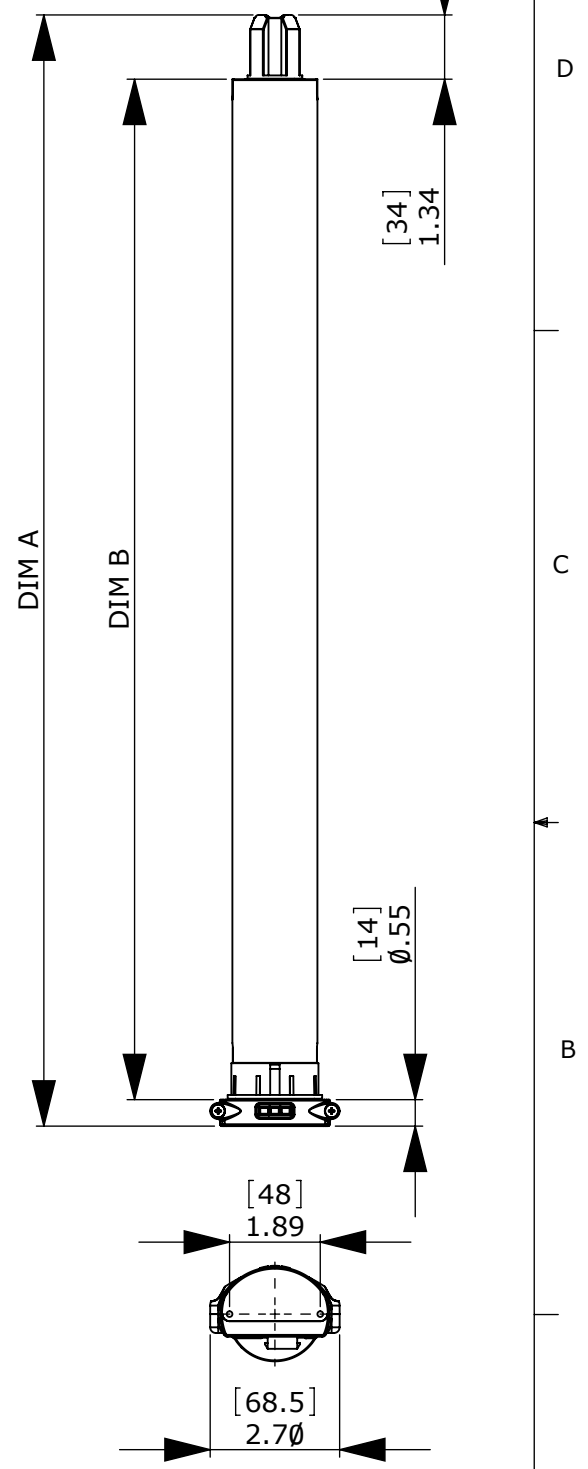
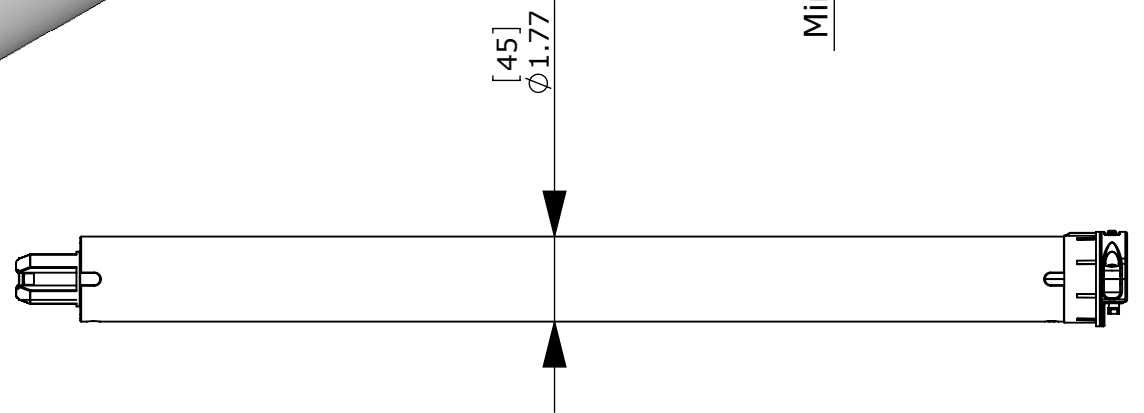


Use supplied M3 x 10mm, countersunk, Phillips head thread forming screws

Isometric view of drive end



[65] Minimum 2.56



UNIT OF MEASURE: [mm] in	NAME	DATE	1355 Horizon Avenue Lafayette, CO 80026 www.elec-solutions.com Office: +1.303.469.9322 Fax: +1.303.469.5129	
TOLERANCES: FRACTIONAL ±1/16 ANGULAR BEND ±1/2° X.XX ±.01 X.XXX ±.005	DRAWN	DKE		17 AUG 2009
MATERIAL	CHECKED			
FINISH	ENG APPR.	GFS	17 AUG 2009	PROPRIETARY AND CONFIDENTIAL THE INFORMATION CONTAINED IN THIS DRAWING IS THE SOLE PROPERTY OF ELECTRONIC SOLUTIONS, INC. (ESI). ANY REPRODUCTION IN PART OR AS A WHOLE WITHOUT THE WRITTEN PERMISSION OF ESI IS PROHIBITED. ESI RESERVES THE RIGHT TO MAKE CHANGES AT ANY TIME IN ORDER TO IMPROVE DESIGN AND TO SUPPLY THE BEST PRODUCT POSSIBLE.
DO NOT SCALE DRAWING	DESCRIPTION:		M50Q 230VAC Series Motor Specifications and Installation Instructions	
	SIZE	PART NO:	REV.	
	B	M50Q 230VAC	A	
	SCALE: 1:5	WEIGHT: varies	SHEET 1 OF 1	