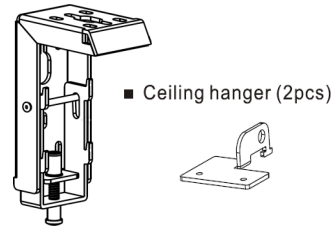


Reference Motorized II Screen

Wall or Ceiling Mounting Bracket



Décora Wall



Right Angle IEC Power Cable

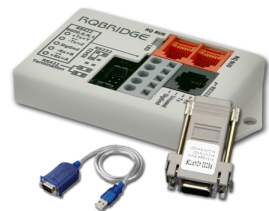


IR Remote & Receiver



Optional Accessories

RS 232 with cables



RF Remote & Receiver

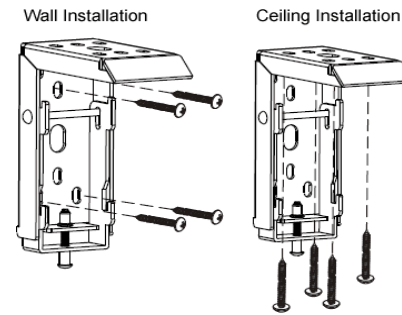


Diagram A

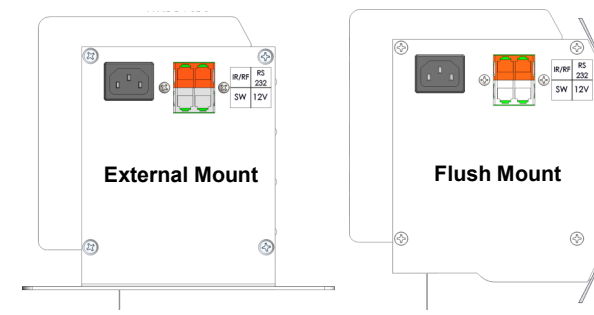


Diagram B

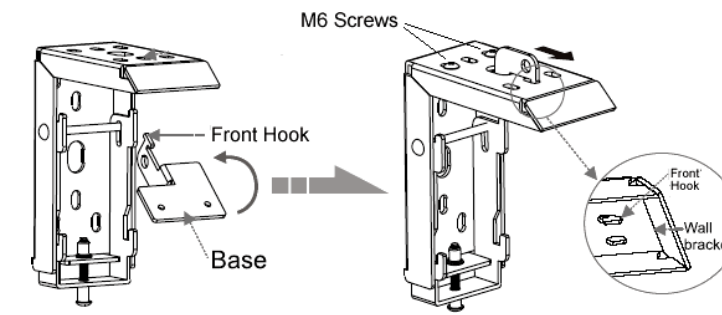


Diagram C

Adjusting Motor Limit Settings

- 1) Locate the motor limit adjustment buttons on the left side of the screen (Diagram D).
- 2) To adjust the lower limit (stopping point) of the screen, first press and hold the **center** button, then also press and hold the **front** button until the yellow LED illuminates and then extinguishes—then immediately release both buttons.
- 3) The front button should now be flashing green.
- 4) Adjust the screen to the desired bottom limit by pressing the front button to lower or the rear button to raise.
- 5) Once the desired lower position has been reached, press and hold the center button first, then also press and hold the front button until the LED lights solid, then immediately release both buttons and the limit is now set. **If the LED remains flashing after release, the limit has not been registered and you must repeat Step 5.**



Diagram D

IMPORTANT NOTE: The upper limit has already been set by the factory and we recommend leaving it at this setting if possible. Should you need to adjust the upper limit, use caution not to set the limit too high. Doing so can seriously damage the screen and motor. Any damage created by retracting the screen too far into the case is not covered by warranty. Proceed to Steps 6 through 9 to change the preset upper limit.

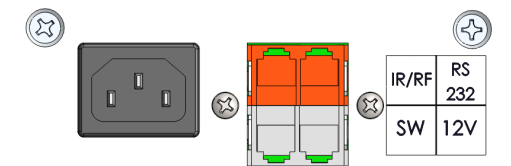


Diagram E

12 Volt Trigger — DC 3V ~ 12 V and min. 50mA - Use shielded 2 conductor 18 gauge (or larger) wiring. Maximum length = 65 ft.

- 6) To change the upper screen limit, press and hold the **center** button, then press and hold the **rear** button until the yellow LED lights and then extinguishes—then immediately release both buttons.
- 7) The rear button should now be flashing red.
- 8) Adjust the screen to the desired upper limit by pressing the front button to lower or the rear button to raise.
- 9) Once the desired position has been reached, press and hold the center button first, then also press and hold the back button until the LED lights solid, then immediately release both buttons and the limit is now set. **If the LED remains flashing after release, the limit has not been registered and you must repeat step 9.**

Installing Controls

Please refer to Diagram E for control wiring locations residing on the left end cap of the screen case.

- **IR**—Plug cable with eye into the top left port; install batteries in remote and test.
- **Wall Switch**—Plug cable into bottom left port (SW); connect to wall switch and test.
- **12V**—Plug cable into top left jack and connect to 12V Source (polarity not exclusive).
- **RS 232 (optional accessory)**—Connect 6-pin cable to top right port and then into RQ bridge. Next, connect another cable from RS 232 jack on RQ bridge to source or adapters supplied.
- **RF Control (optional accessory)**—Plug one end of 6-pin cable into top left port and the other into the RF Receiver with antenna. Install batteries and test.

Mounting the Screen

1. To mount to a wall or ceiling, **securely** attach screws into **structural wood studs or joists** insuring the brackets are level (Diagram A). Then hang the screen on both the upper and lower bracket hooks (Diagram B) and tighten the locking screw on the bottom to secure.
2. To hang the screen from a user-supplied tether, mount the ceiling hanger to the bracket using (2) M6 screws per bracket as shown in Diagram B. Then attach the bracket to the screen (Diagram C) securing the bracket by tightening the locking screw. Use the hole in the hanger to hang the screen. Only use tethers and hardware of adequately rated weight capacity.

IR Hex Codes

0000	006E	0000	000B	000F
0018	000F	003C	000F	0018
000F	003C	000F	0018	000F
003C	000F	0018	000F	0018
000F	0018	000F	0018	000F
08E8				

WIND:

0000	006D	0000	000B	0010
0019	0010	003D	0010	0019
0010	003D	0010	0019	0010
003D	0010	0019	0010	0019
0010	003D	0010	0019	0010
08D5				

STOP:

**Installation Help Line
(512) 832-6939**