

**Parts**

- 1. 2 Wall Brackets
- 2. Latex Gloves
- 3. Screen Cleaner



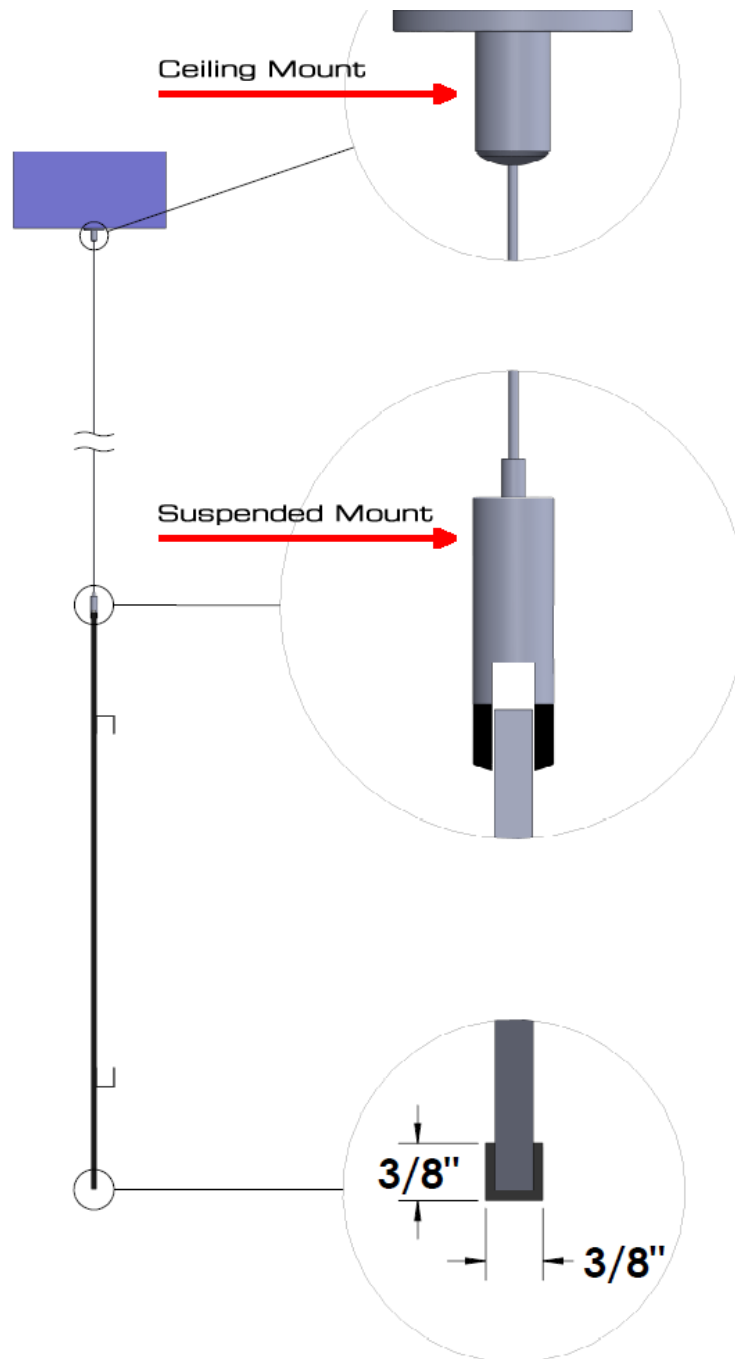
**Help Line (512) 832-6939**

**www.screeninnovations.com**

**BLACK DIAMOND ZERO EDGE - Installation Instructions**

**Ceiling Mount**

- 1. Mount to the ceiling approximately 1/4 screen width.
- 2. Ceiling mounts must hold 100lbs each.



**Wall Mount**

- 1. Mount Screen on wall, make sure you hit studs when securing brackets to the wall.
- 2. Slide screen onto the brackets. NOTE: there is no top or bottom. You can mount your screen either way.

